



Wide Range of ready to assemble  
LED Lighting Fixtures

**DIE-CAST-EXTRUDED-FABRICATED**



**LED STREET LIGHT FIXTURES**

**LEDONIX Technologies Private Limited**

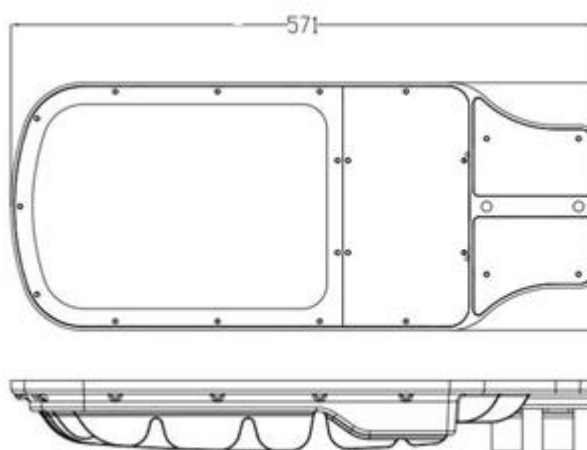
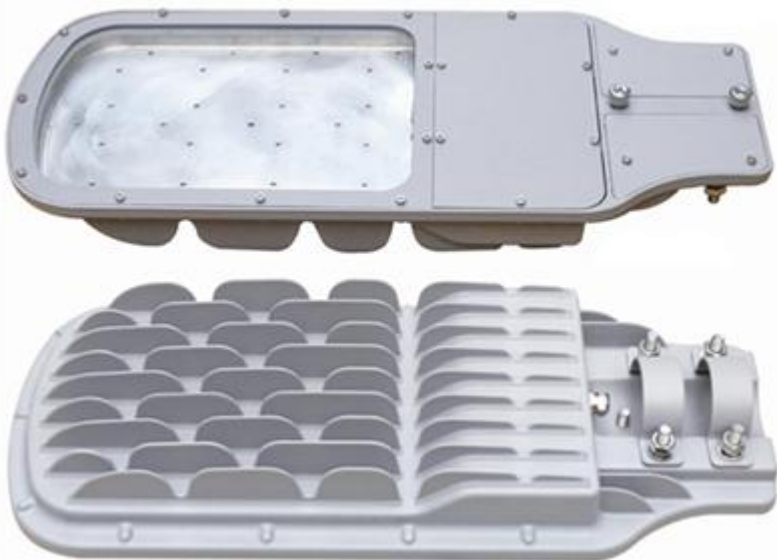
No. 1 & 14, Postal Colony, Sanjaynagar,  
Bangalore - 560 094, Karnataka, India  
Off: +91-80-4099 8845  
Direct: +91-96863 31758 / 98454 56486  
eMail: sales@ledlightfixtures.in  
Web: www.ledlightfixtures.in

**Jin Da (HK) Limited**

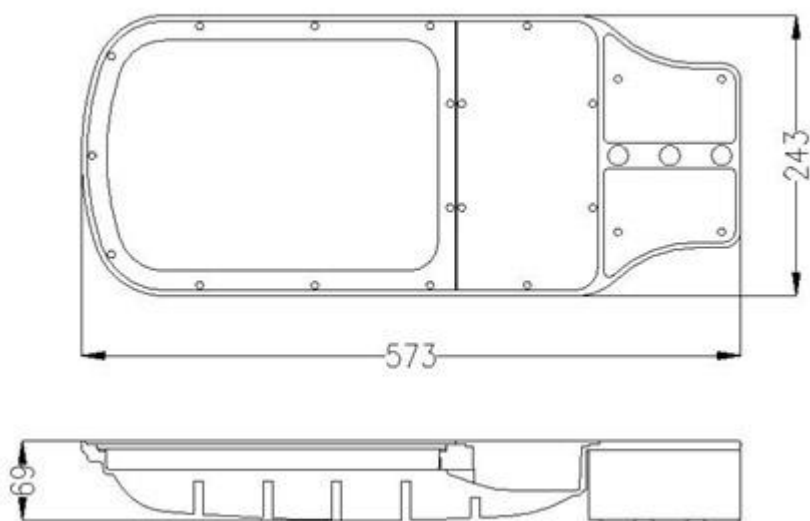
Unit D1, 11/F, Wing Tat Commercial Building  
97 Bonham Strand East  
Sheung Wan,  
Hong Kong  
Off: 3069 6900  
Fax: 3069 6901

## LDN-Q Series

Model	SIZE(MM)	WATTAGE	MATERIAL	IP RATING	SURFACE FINISH	WEIGHT	GLASS	GASKET
LDN-Q80N	573x243x69	80-120W	ADC12 Aluminium	IP65	Grey Powder coated	7Kgs	Toughened	Silicon



Model	SIZE(MM)	WATTAGE	MATERIAL	IP RATING	SURFACE FINISH	WEIGHT	GLASS	GASKET
LDN-Q80	573x243x69	80-120W	AL-ADC12	IP65	Grey Powder coated	7Kgs	Toughened	Silicon



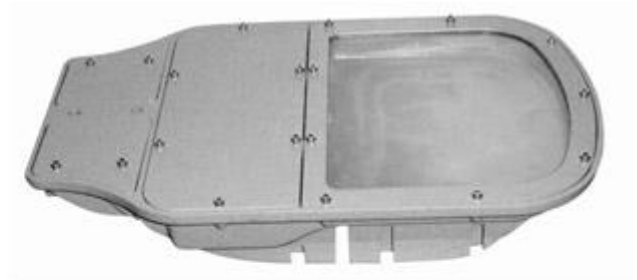
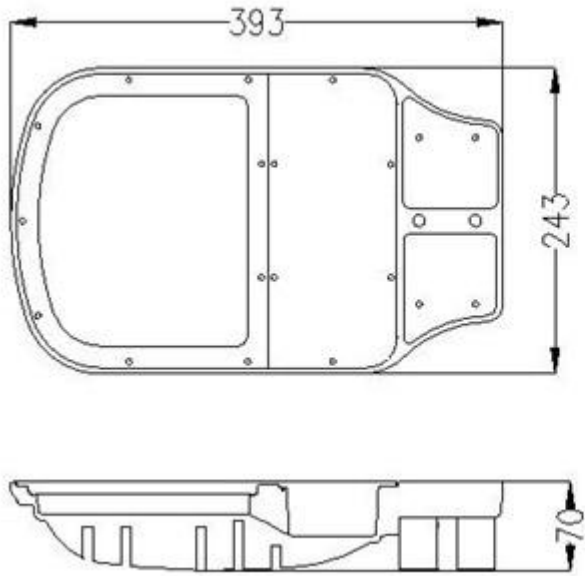
### LEDONIX Technologies Private Limited

No. 1 & 14, Postal Colony, Sanjaynagar, Bangalore - 560 094, India  
 Off: +91-80-4099 8845 Direct: +91-96863 31758 / 98454 56486  
 eMail: sales@ledlightfixtures.in Web: www.ledlightfixtures.in

### Jin Da (HK) Limited

Unit D1, 11/F, Wing Tat Commercial Building  
 97 Bonham Strand East, Sheung Wan, Hong Kong  
 Off: 3069 6900 Fax: 3069 6901

Model	SIZE(MM)	WATTAGE	MATERIAL	IP RATING	SURFACE FINISH	WEIGHT	GLASS	GASKET
LDN-Q30	393x243x70	30-60W	AL-ADC12	IP65	Grey Powder coated	5Kgs	Toughened	Silicon



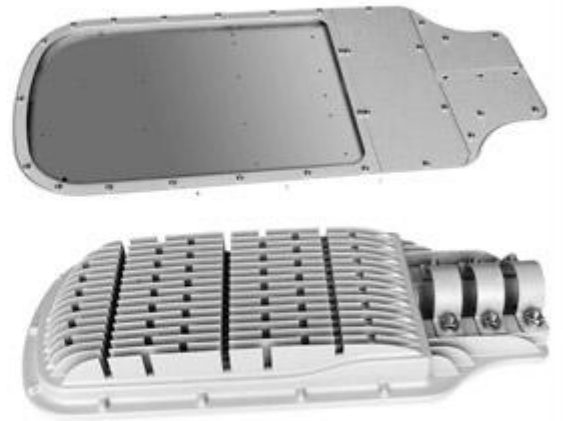
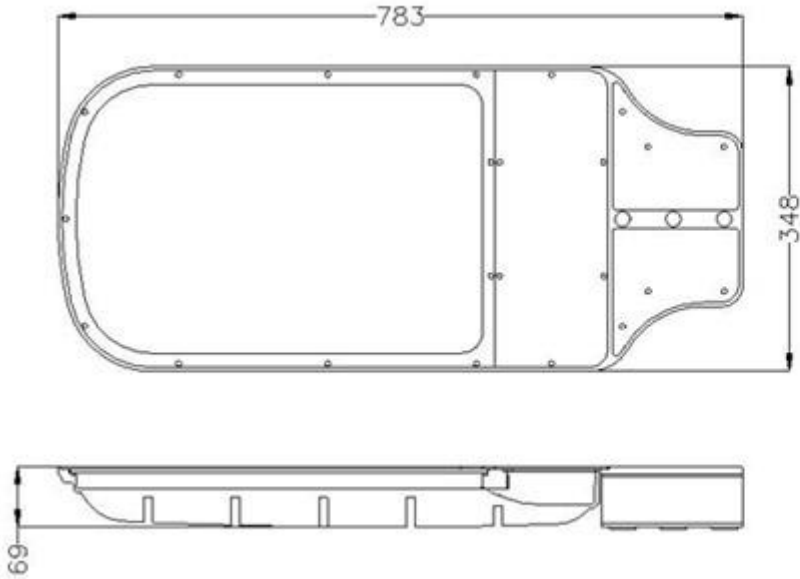
Model	SIZE(MM)	WATTAGE	MATERIAL	IP RATING	SURFACE FINISH	WEIGHT	GLASS	GASKET
LDN-Q150	783x348x69	150-200W	AL-ADC12	IP65	Grey Powder coated	9Kgs	Toughened	Silicon

**LEDONIX Technologies Private Limited**

No. 1 & 14, Postal Colony, Sanjaynagar, Bangalore - 560 094, India  
 Off: +91-80-4099 8845 Direct: +91-96863 31758 / 98454 56486  
 eMail: sales@ledlightfixtures.in Web: www.ledlightfixtures.in

**Jin Da (HK) Limited**

Unit D1, 11/F, Wing Tat Commercial Building  
 97 Bonham Strand East, Sheung Wan, Hong Kong  
 Off: 3069 6900 Fax: 3069 6901



## LDN-N Series

Model	SIZE(MM)	WATTAGE	MATERIAL	IP RATING	SURFACE FINISH	WEIGHT	GLASS	GASKET
LDN-N30	000x000x00	30-60W	AL-ADC12	IP65	Anodized-Silver	7Kgs	Toughened	Silicon



### LEDONIX Technologies Private Limited

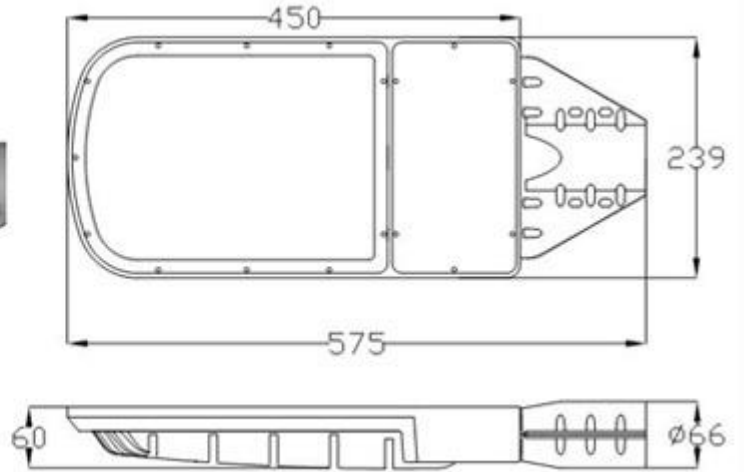
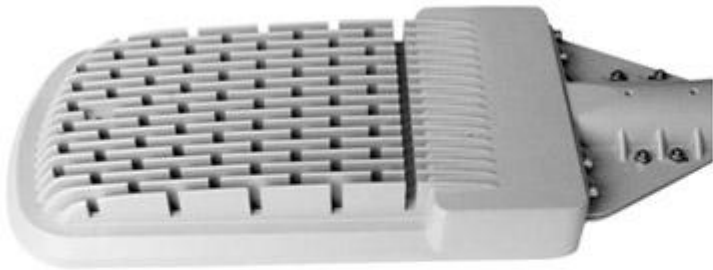
No. 1 & 14, Postal Colony, Sanjaynagar, Bangalore - 560 094, India  
 Off: +91-80-4099 8845 Direct: +91-96863 31758 / 98454 56486  
 eMail: sales@ledlightfixtures.in Web: www.ledlightfixtures.in

### Jin Da (HK) Limited

Unit D1, 11/F, Wing Tat Commercial Building  
 97 Bonham Strand East, Sheung Wan, Hong Kong  
 Off: 3069 6900 Fax: 3069 6901

## LDN-C Series

Model	SIZE(MM)	WATTAGE	MATERIAL	SURFACE FINISH	WEIGHT
LDN-C60	450x239x60	60W	AL-ADC-12	Grey Powder coated	6 Kgs



## LDN-D Series

Model	SIZE(MM)	WATTAGE	MATERIAL	SURFACE FINISH	WEIGHT
LDN-D120	730x340x130	120W	ADC12	Powder coated	
LDN-D50	500x228x58	50W	ADC12	Powder coated	

### LEDONIX Technologies Private Limited

No. 1 & 14, Postal Colony, Sanjaynagar, Bangalore - 560 094, India  
 Off: +91-80-4099 8845 Direct: +91-96863 31758 / 98454 56486  
 eMail: sales@ledlightfixtures.in Web: www.ledlightfixtures.in

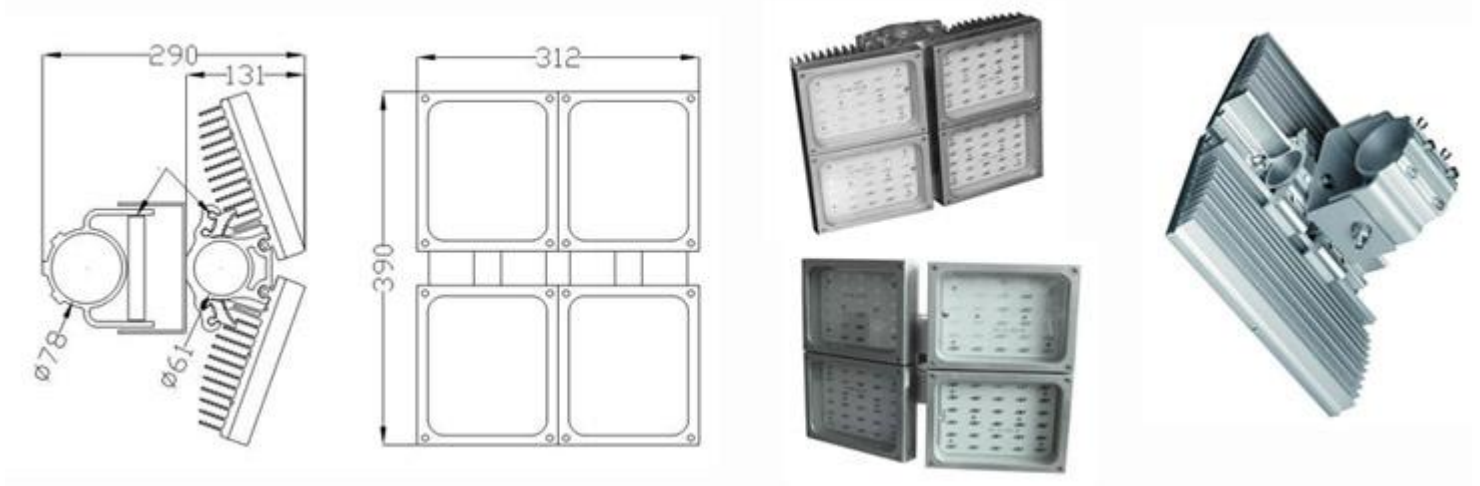
### Jin Da (HK) Limited

Unit D1, 11/F, Wing Tat Commercial Building  
 97 Bonham Strand East, Sheung Wan, Hong Kong  
 Off: 3069 6900 Fax: 3069 6901



## LDN-M Series

Model	SIZE(MM)	WATTAGE	ALGRADE	SURFACE FINISH	WEIGHT
LDN-M120	390x312x290	120W	6063	Anodized	



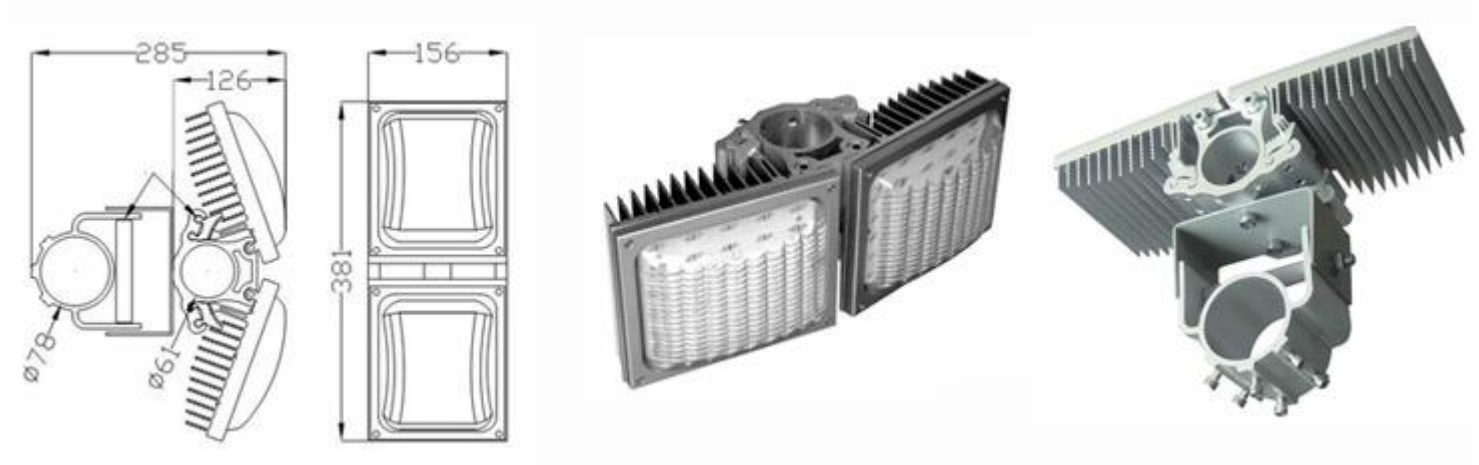
Model	SIZE(MM)	WATTAGE	ALGRADE	SURFACE FINISH	WEIGHT
LDN-M60	381x156x285	60W	6063	Anodized	

### LEDONIX Technologies Private Limited

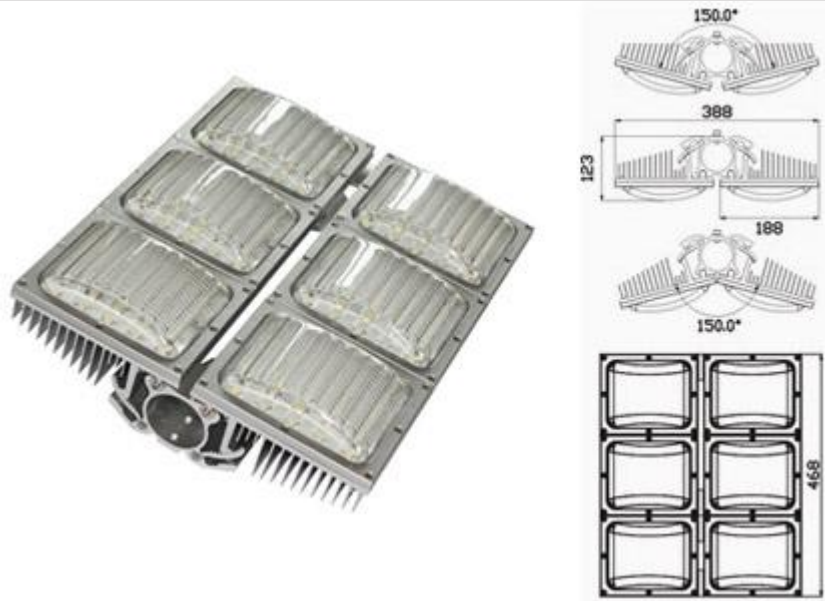
No. 1 & 14, Postal Colony, Sanjaynagar, Bangalore - 560 094, India  
 Off: +91-80-4099 8845 Direct: +91-96863 31758 / 98454 56486  
 eMail: sales@ledlightfixtures.in Web: www.ledlightfixtures.in

### Jin Da (HK) Limited

Unit D1, 11/F, Wing Tat Commercial Building  
 97 Bonham Strand East, Sheung Wan, Hong Kong  
 Off: 3069 6900 Fax: 3069 6901

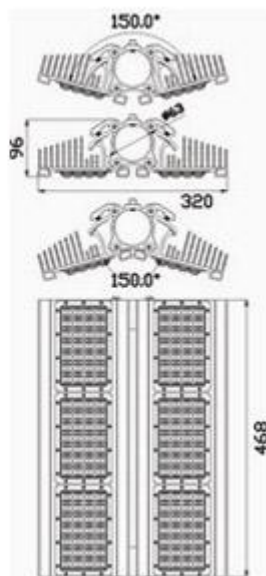


Model	SIZE(MM)	WATTAGE	ALGRADE	SURFACE FINISH	WEIGHT
LDN-M180	468x388x123	180W	6063	Anodized	

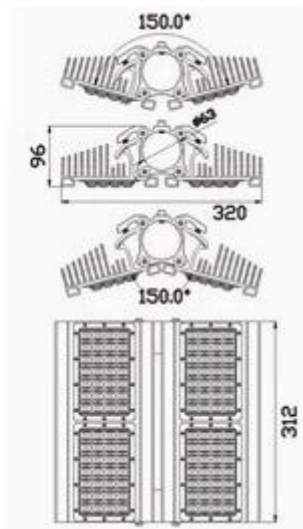


## LDN-M1 Series

Model	SIZE(MM)	WATTAGE	ALGRADE	SURFACE FINISH	WEIGHT
LDN-M1-180	468x320x96	170W	6063	Anodized	



Model	SIZE(MM)	WATTAGE	ALGRADE	SURFACE FINISH	WEIGHT
LDN-M1-110	312x320x96	110W	6063	Anodized	



### LEDONIX Technologies Private Limited

No. 1 & 14, Postal Colony, Sanjaynagar, Bangalore - 560 094, India  
 Off: +91-80-4099 8845 Direct: +91-96863 31758 / 98454 56486  
 eMail: sales@ledlightfixtures.in Web: www.ledlightfixtures.in

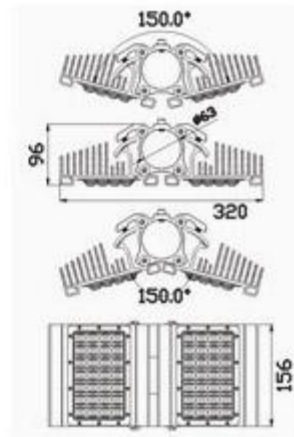
### Jin Da (HK) Limited

Unit D1, 11/F, Wing Tat Commercial Building  
 97 Bonham Strand East, Sheung Wan, Hong Kong  
 Off: 3069 6900 Fax: 3069 6901





Model	SIZE(MM)	WATTAGE	ALGRADE	SURFACE FINISH	WEIGHT
LDN-M1-60	156x320x96	60W	6063	Anodized	



## LDN-COB Series

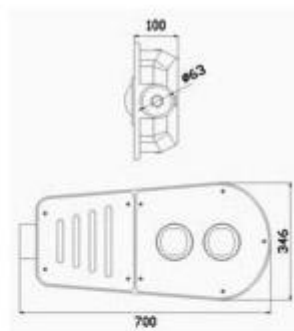
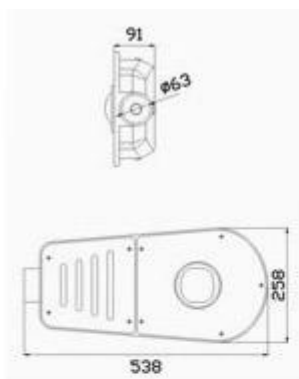
Model	SIZE(MM)	WATTAGE	ALGRADE	SURFACE FINISH	WEIGHT
LDN-COB-50	538X258X91	50W	AL-ADC12	Powder coated	
LDN-COB-100	700X346X100	100-120W	AL-ADC12	Powder coated	

### LEDONIX Technologies Private Limited

No. 1 & 14, Postal Colony, Sanjaynagar, Bangalore - 560 094, India  
 Off: +91-80-4099 8845 Direct: +91-96863 31758 / 98454 56486  
 eMail: sales@ledlightfixtures.in Web: www.ledlightfixtures.in

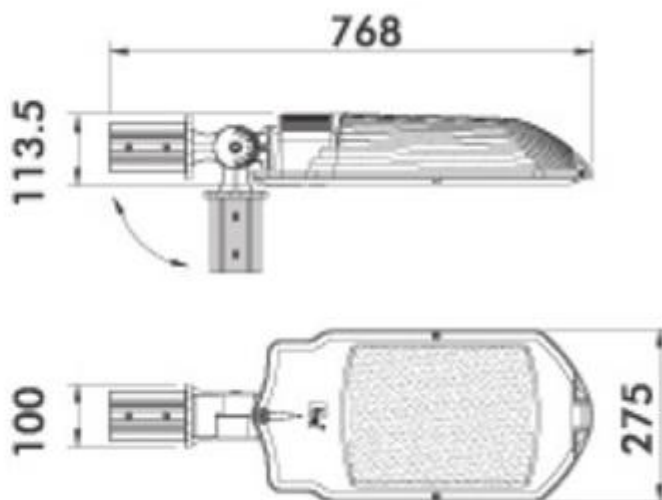
### Jin Da (HK) Limited

Unit D1, 11/F, Wing Tat Commercial Building  
 97 Bonham Strand East, Sheung Wan, Hong Kong  
 Off: 3069 6900 Fax: 3069 6901



## LDN-DN Series

Model	SIZE(MM)	WATTAGE	MATERIAL	IP RATING	SURFACE FINISH	WEIGHT	GLASS	GASKET
LDN-DN100	--	100W	ADC12 Aluminium	IP65	Powder coated	--	Toughened	Silicon



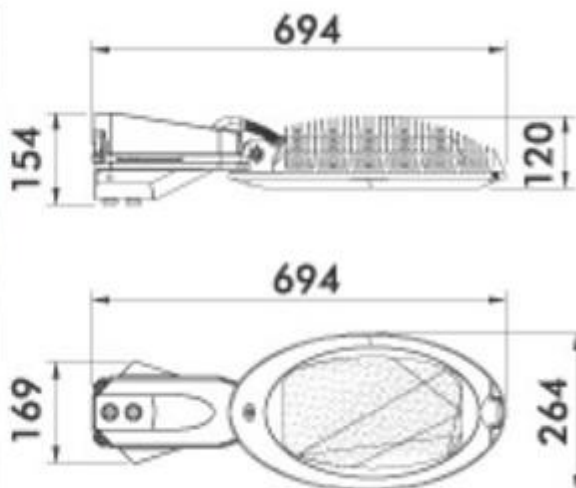
### LEDONIX Technologies Private Limited

No. 1 & 14, Postal Colony, Sanjaynagar, Bangalore - 560 094, India  
 Off: +91-80-4099 8845 Direct: +91-96863 31758 / 98454 56486  
 eMail: sales@ledlightfixtures.in Web: www.ledlightfixtures.in

### Jin Da (HK) Limited

Unit D1, 11/F, Wing Tat Commercial Building  
 97 Bonham Strand East, Sheung Wan, Hong Kong  
 Off: 3069 6900 Fax: 3069 6901

Model	SIZE(MM)	WATTAGE	MATERIAL	IP RATING	SURFACE FINISH	WEIGHT	GLASS	GASKET
LDN-DN70	--	70W	ADC12 Aluminium	IP65	Powder coated	--	Toughened	Silicon



Model	SIZE(MM)	WATTAGE	MATERIAL	IP RATING	SURFACE FINISH	WEIGHT	GLASS	GASKET
LDN-DN45	--	45W	ADC12 Aluminium	IP65	Powder coated	--	Toughened	Silicon

