



Wide Range of ready to assemble
LED Lighting Fixtures

DIE-CAST-EXTRUDED-FABRICATED



LED FLOOD LIGHT FIXTURES

LEDONIX Technologies Private Limited

No. 1 & 14, Postal Colony, Sanjaynagar,
Bangalore - 560 094, Karnataka, India

Off: +91-80-4099 8845

Direct: +91-96863 31758 / 98454 56486

eMail: sales@ledlightfixtures.in

Web: www.ledlightfixtures.in

Jin Da (HK) Limited

Unit D1, 11/F, Wing Tat Commercial Building
97 Bonham Strand East

Sheung Wan,

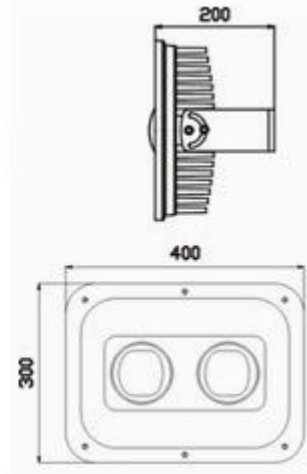
Hong Kong

Off: 3069 6900

Fax: 3069 6901

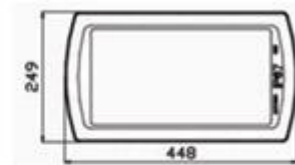
LDN-DC Series

Model	SIZE(MM)	WATTAGE	MATERIAL	IP RATING	SURFACE FINISH	WEIGHT	GLASS	GASKET
LDN-DC60	300x400x200	60W	AL-ADC12	IP65	Grey Powder coated	4Kgs	PC	Silicon



LDN-D Series

Model	SIZE(MM)	WATTAGE	MATERIAL	IP RATING	SURFACE FINISH	WEIGHT	GLASS	GASKET
LDN-D60	448X249X142	60W	AL-ADC12	IP65	Anodized	6Kgs	Toughened	Silicon



LEDONIX Technologies Private Limited

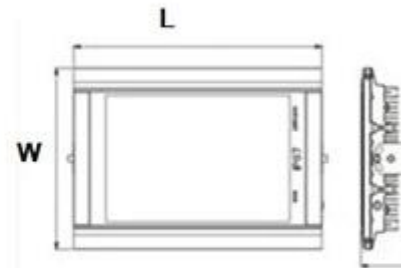
No. 1 & 14, Postal Colony, Sanjaynagar, Bangalore - 560 094, India
 Off: +91-80-4099 8845 Direct: +91-96863 31758 / 98454 56486
 eMail: sales@ledlightfixtures.in Web: www.ledlightfixtures.in

Jin Da (HK) Limited

Unit D1, 11/F, Wing Tat Commercial Building
 97 Bonham Strand East, Sheung Wan, Hong Kong
 Off: 3069 6900 Fax: 3069 6901

LDN-E Series

Model	SIZE(MM)- LXWXH	WATTAGE	MATERIAL	IP RATING	SURFACE FINISH	WEIGHT	GLASS	GASKET
LDN-E24/36	278x291x123	24/36W	6063	IP65	Anodized	4Kgs	Toughened	Silicon
LDN-E60	398x291x123	60W	6063	IP65	Anodized	4Kgs	Toughened	Silicon
LDN-E84	518x291x123	84W	6063	IP65	Anodized	4Kgs	Toughened	Silicon
LDN-E96	578x291x123	96W	6063	IP65	Anodized	4Kgs	Toughened	Silicon
LDN-E108	638x291x12	108W	6063	IP65	Anodized	4Kgs	Toughened	Silicon
LDN-E120	698x291x12	120W	6063	IP65	Anodized	4Kgs	Toughened	Silicon



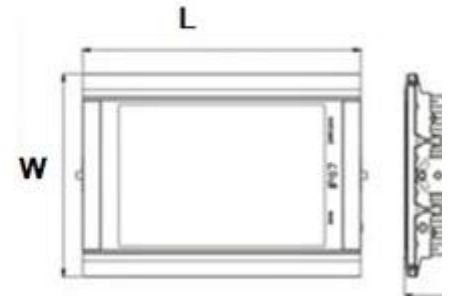
Model	SIZE(MM)- LXWXH	WATTAGE	MATERIAL	IP RATING	SURFACE FINISH	WEIGHT	GLASS	GASKET
LDN-E80	476x280x165	80W	6063	IP65	Anodized	4Kgs	Toughened	Silicon
LDN-E60	523x280x165	112W	6063	IP65	Anodized	6Kgs	Toughened	Silicon

LEDONIX Technologies Private Limited

No. 1 & 14, Postal Colony, Sanjaynagar, Bangalore - 560 094, India
 Off: +91-80-4099 8845 Direct: +91-96863 31758 / 98454 56486
 eMail: sales@ledlightfixtures.in Web: www.ledlightfixtures.in

Jin Da (HK) Limited

Unit D1, 11/F, Wing Tat Commercial Building
 97 Bonham Strand East, Sheung Wan, Hong Kong
 Off: 3069 6900 Fax: 3069 6901



LDN-PBL Series

Model	SIZE(MM)- LXWXH	WATTAGE	MATERIAL	IP RATING	SURFACE FINISH	WEIGHT	GLASS	GASKET
LDN-PBL	330x330x60	75/90/105W	AL6063+ABS	IP65	Powder coated	6Kgs		Silicon



LDN-MC Series

Model	SIZE(MM)- LXWXH	WATTAGE	MATERIAL	IP RATING	SURFACE FINISH	WEIGHT	GLASS	GASKET
LDN-MC10	330x330x60	10W	AL-ADC12	IP65	Powder coated	6Kgs	Toughened	Silicon

LEDONIX Technologies Private Limited

No. 1 & 14, Postal Colony, Sanjaynagar, Bangalore - 560 094, India
 Off: +91-80-4099 8845 Direct: +91-96863 31758 / 98454 56486
 eMail: sales@ledlightfixtures.in Web: www.ledlightfixtures.in

Jin Da (HK) Limited

Unit D1, 11/F, Wing Tat Commercial Building
 97 Bonham Strand East, Sheung Wan, Hong Kong
 Off: 3069 6900 Fax: 3069 6901

LDN-MC20	330x330x60	10W	AL-ADC12	IP65	Powder coated	6Kgs	Toughened	Silicon
LDN-E84	330x330x60	10W	AL-ADC12	IP65	Powder coated	6Kgs	Toughened	Silicon
LDN-E96	330x330x60	10W	AL-ADC12	IP65	Powder coated	6Kgs	Toughened	Silicon
LDN-E108	330x330x60	10W	AL-ADC12	IP65	Powder coated	6Kgs	Toughened	Silicon
LDN-E120	330x330x60	10W	AL-ADC12	IP65	Powder coated	6Kgs	Toughened	Silicon



LDN-DQ Series

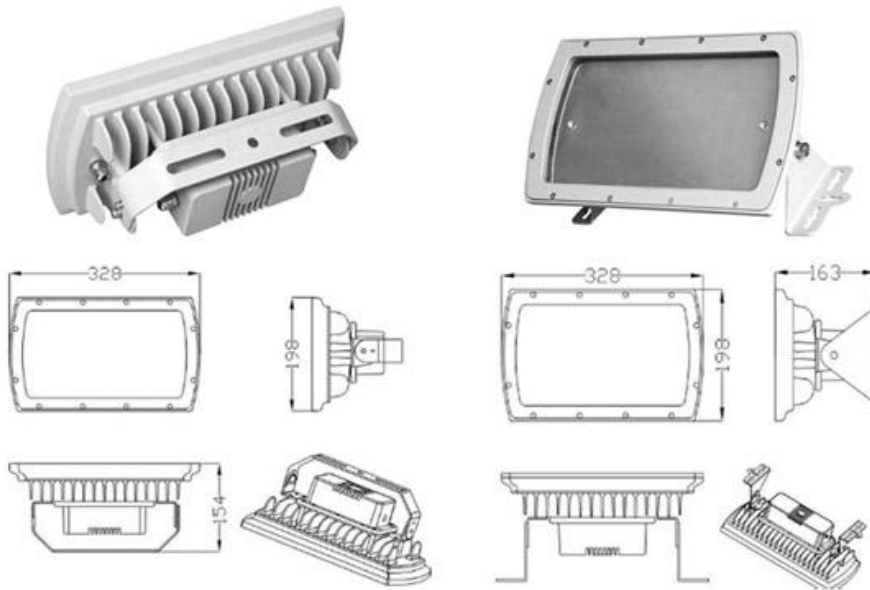
Model	SIZE(MM)- LXWXH	WATTAGE	MATERIAL	IP RATING	SURFACE FINISH	WEIGHT	GLASS	GASKET
LDN-DQ30	328x198	30W	AL-ADC12	IP65	Powder coated	5 Kgs	Toughened	Silicon

LEDONIX Technologies Private Limited

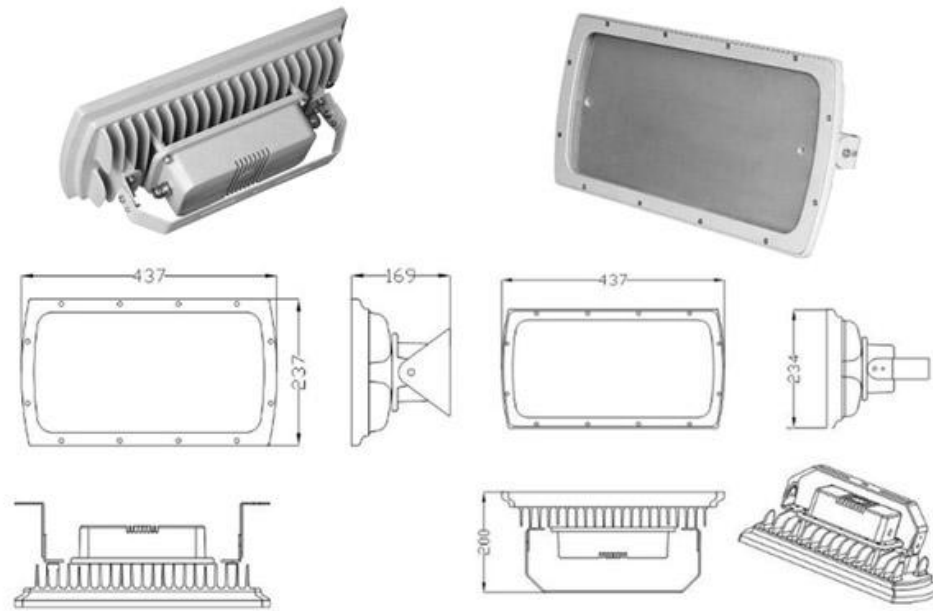
No. 1 & 14, Postal Colony, Sanjaynagar, Bangalore - 560 094, India
 Off: +91-80-4099 8845 Direct: +91-96863 31758 / 98454 56486
 eMail: sales@ledlightfixtures.in Web: www.ledlightfixtures.in

Jin Da (HK) Limited

Unit D1, 11/F, Wing Tat Commercial Building
 97 Bonham Strand East, Sheung Wan, Hong Kong
 Off: 3069 6900 Fax: 3069 6901



Model	SIZE(MM)- LXWXH	WATTAGE	MATERIAL	IP RATING	SURFACE FINISH	WEIGHT	GLASS	GASKET
LDN-DQ60	437x237	60W	AL-ADC12	IP65	Powder coated	6 Kgs	Toughened	Silicon



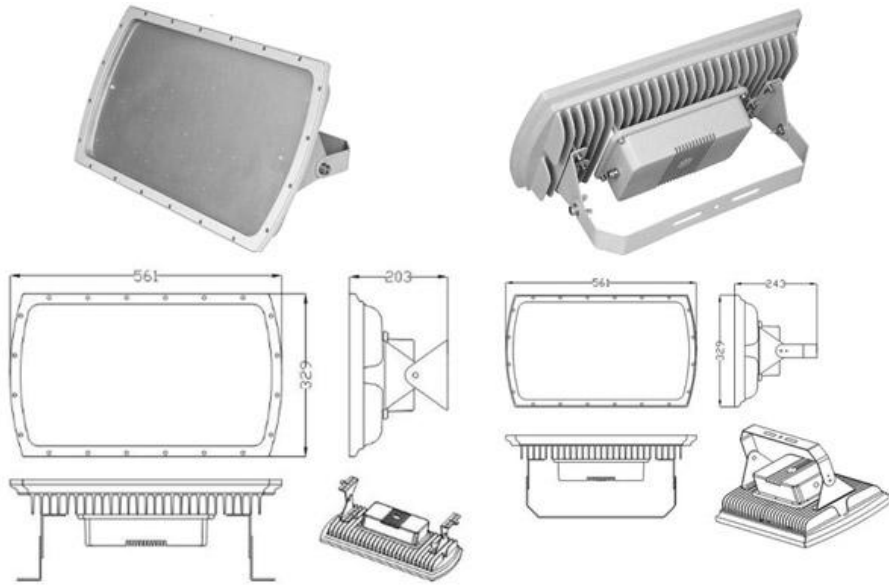
Model	SIZE(MM)- LXWXH	WATTAGE	MATERIAL	IP RATING	SURFACE FINISH	WEIGHT	GLASS	GASKET
LDN-DQ100	561x321	100W	AL-ADC12	IP65	Powder coated	7 Kgs	Toughened	Silicon

LEDONIX Technologies Private Limited

No. 1 & 14, Postal Colony, Sanjaynagar, Bangalore - 560 094, India
 Off: +91-80-4099 8845 Direct: +91-96863 31758 / 98454 56486
 eMail: sales@ledlightfixtures.in Web: www.ledlightfixtures.in

Jin Da (HK) Limited

Unit D1, 11/F, Wing Tat Commercial Building
 97 Bonham Strand East, Sheung Wan, Hong Kong
 Off: 3069 6900 Fax: 3069 6901



LEDONIX Technologies Private Limited

No. 1 & 14, Postal Colony, Sanjaynagar, Bangalore - 560 094, India
Off: +91-80-4099 8845 Direct: +91-96863 31758 / 98454 56486
eMail: sales@ledlightfixtures.in Web: www.ledlightfixtures.in

Jin Da (HK) Limited

Unit D1, 11/F, Wing Tat Commercial Building
97 Bonham Strand East, Sheung Wan, Hong Kong
Off: 3069 6900 Fax: 3069 6901